



Originalanleitung
Original instructions
Notice originale
Manual original

Oryginalna instrukcja
Оригинальная инструкция
Instrução original
Originalanvisning

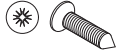
D+HE

CDC-BS023

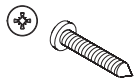
Für: / For: / Pour: / Por: / Dla: / Для: / Para: / For:

Velux® GGL/GGU -F04 / F06 / F08 / M04 / M06 / M08 / M10 / P06 / P08 / P10 / S06 / S08 / S10 / U08 / U10

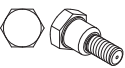
4x 4,5x20 -vz SPAX®



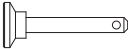
1x 4x25 -vz SPAX®



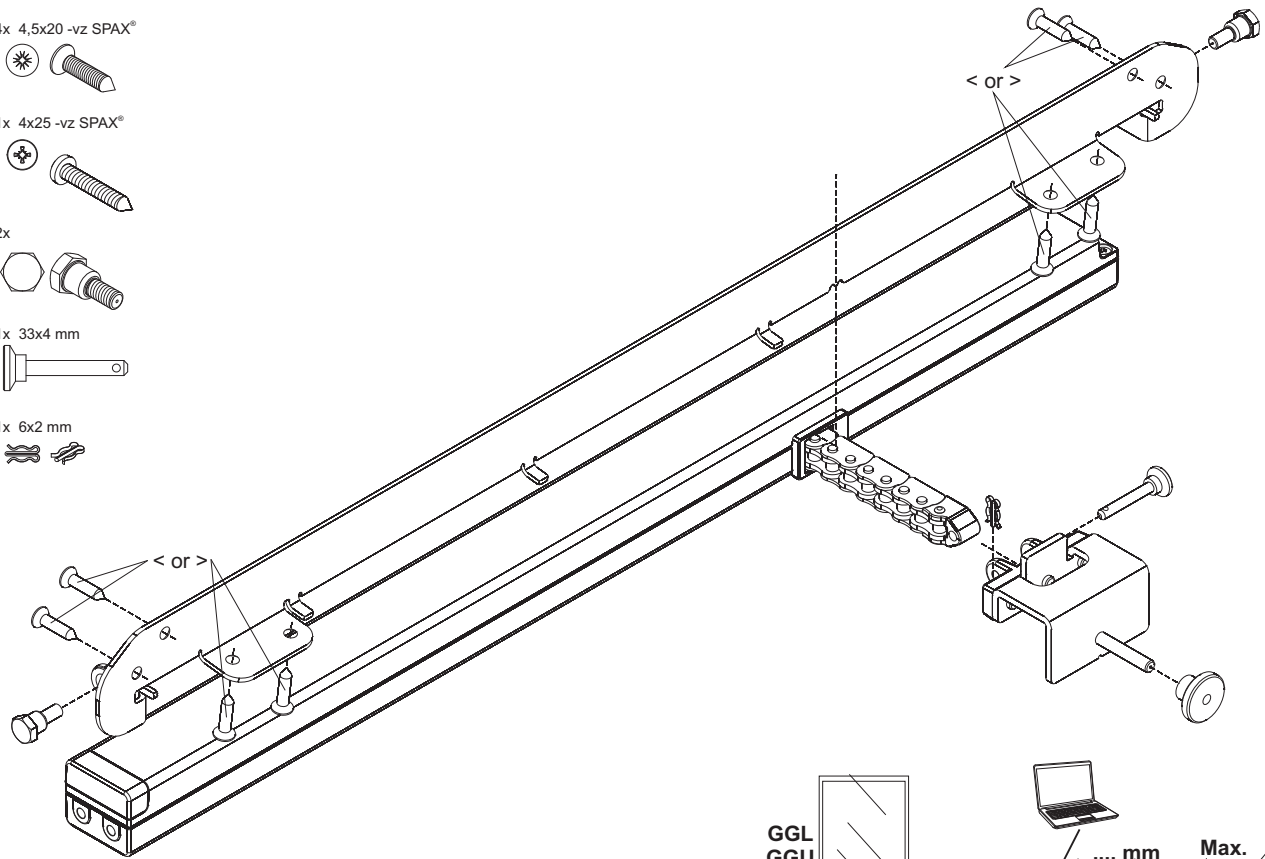
2x



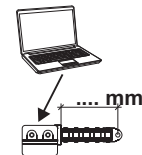
1x 33x4 mm



1x 6x2 mm



GGL
GGU



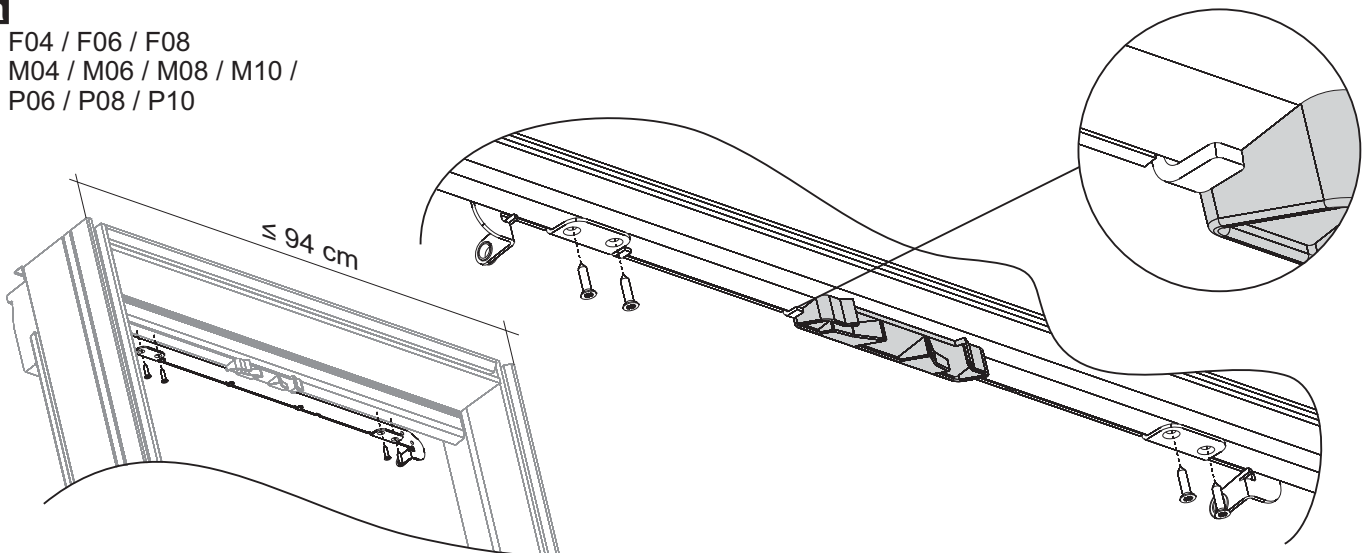
Max.



F04 / M 04	530 mm	85,5°
F06 / M06 / P06 / S06	600 mm	75,5°
F08 / M08 / P08 / S08 / U08	600 mm	63°
M10 / P10 / S10 / U10	600 mm	62°

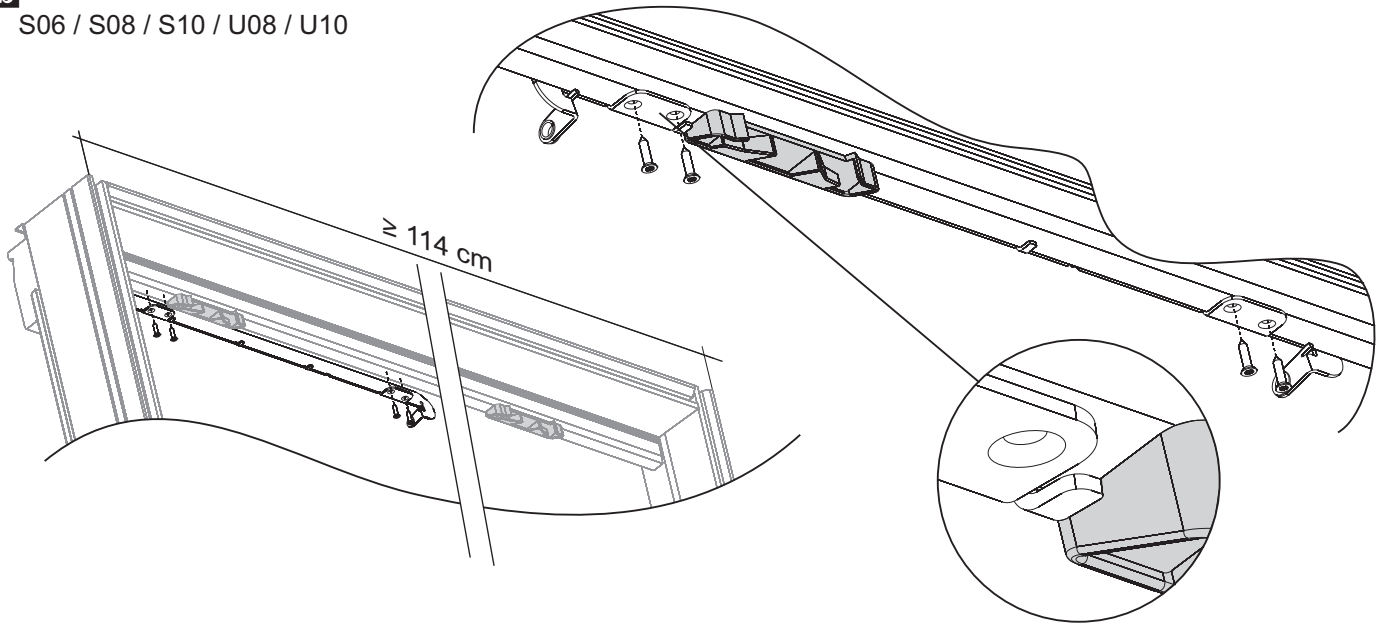
1a

F04 / F06 / F08
M04 / M06 / M08 / M10 /
P06 / P08 / P10

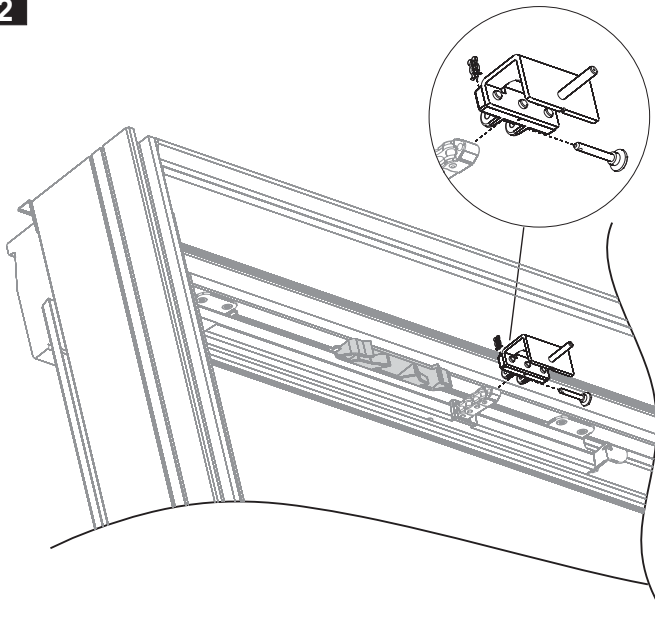


1b

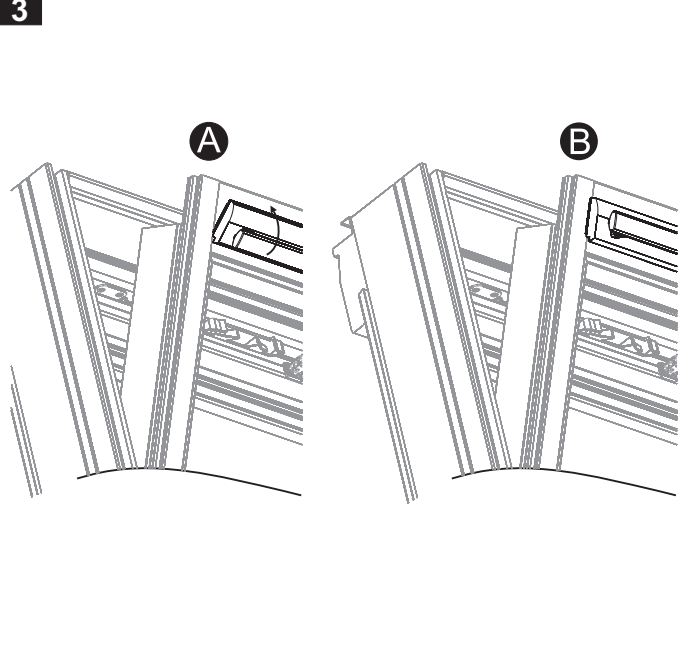
S06 / S08 / S10 / U08 / U10



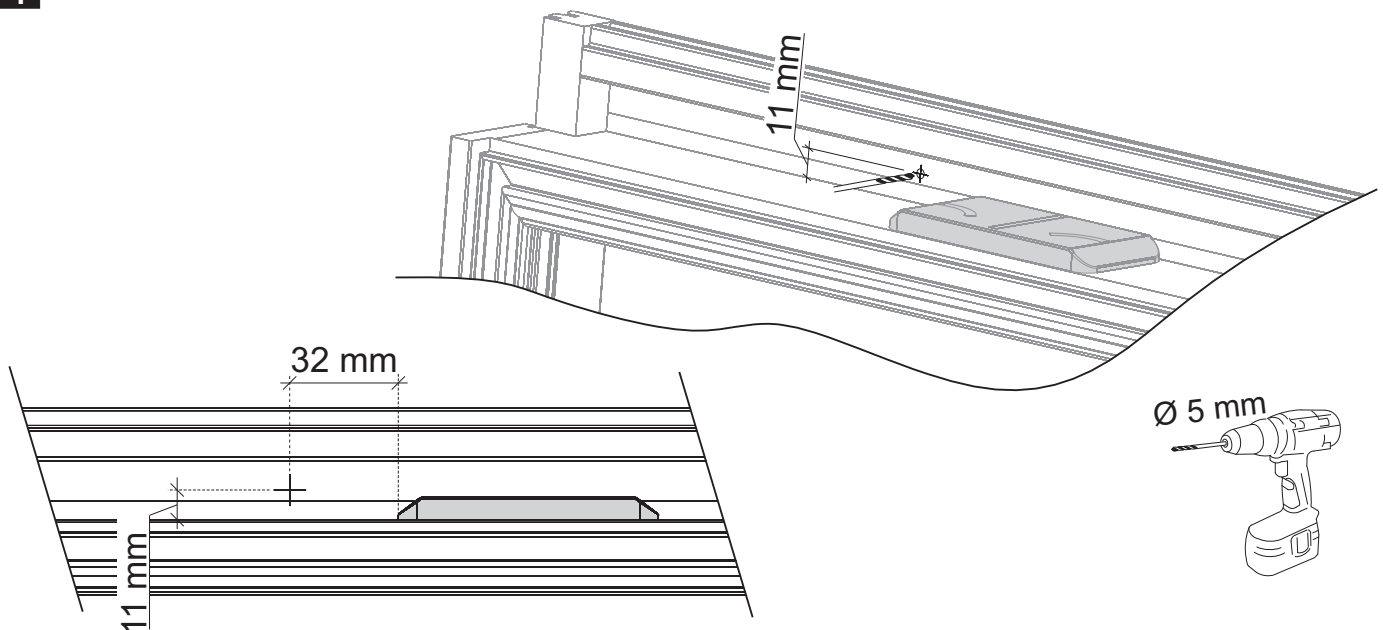
2



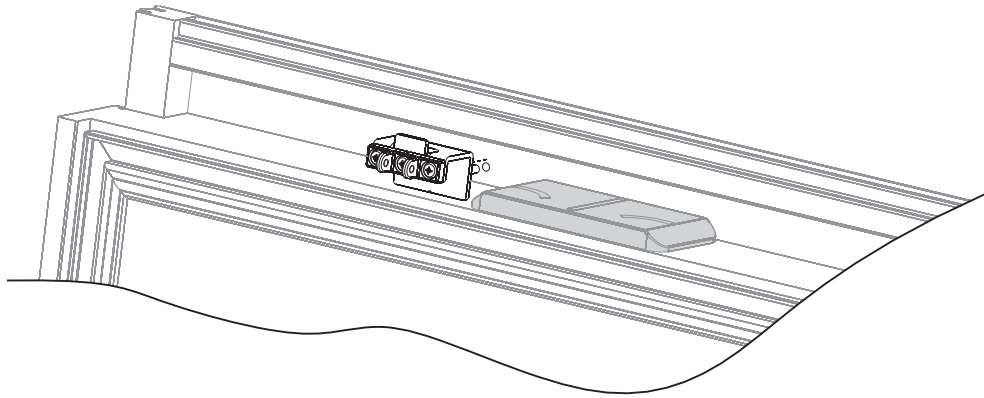
3



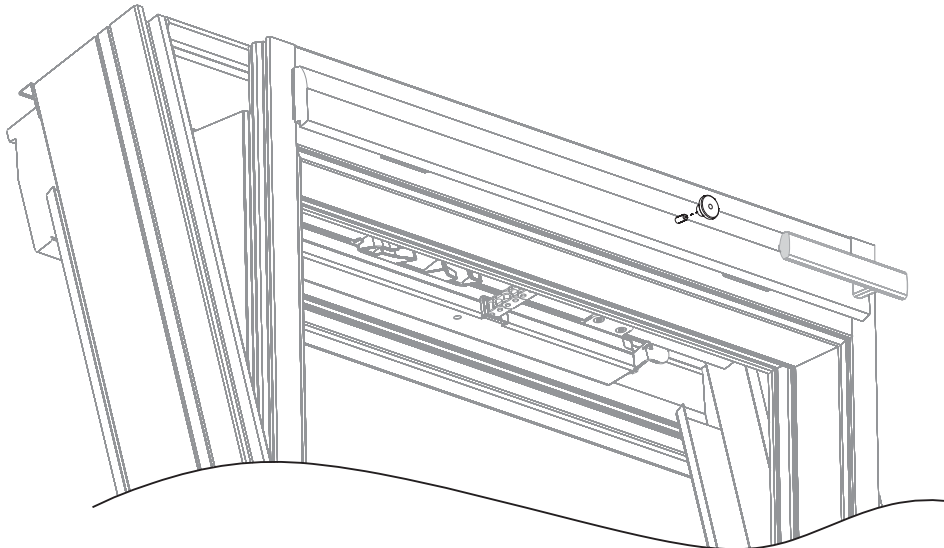
4



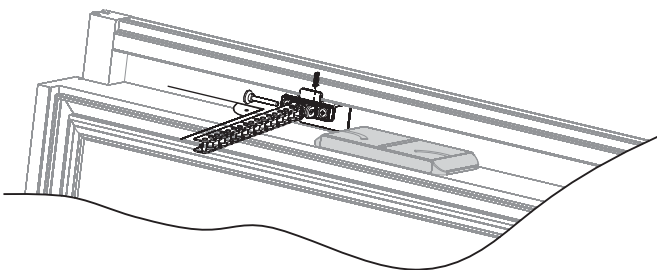
5



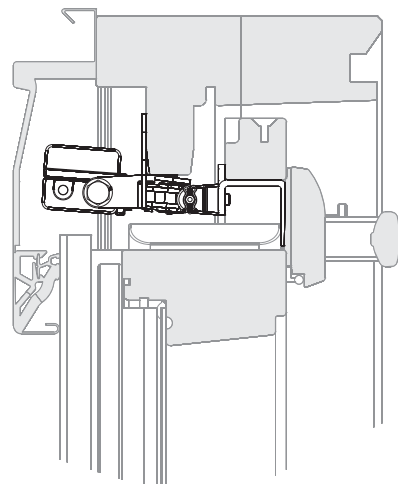
6



7



8





D+H Mechatronic AG
Georg-Sasse-Str. 28-32
22949 Ammersbek, Germany

Tel.: +4940-605 65 239
Fax: +4940-605 65 254
E-Mail: info@dh-partner.com

www.dh-partner.com

© 2013 D+H Mechatronic AG, Ammersbek
Technische Änderungen vorbehalten /
Rights to technical modifications reserved /
Sous réserve de modifications techniques /
Derecho reservado a modificaciones técnicas /
Zmiany techniczne zastrzeżone /
Оставляем за собой право на технические изменения /
Sujeito a alterações técnicas /
Forbehold for tekniske ændringer