



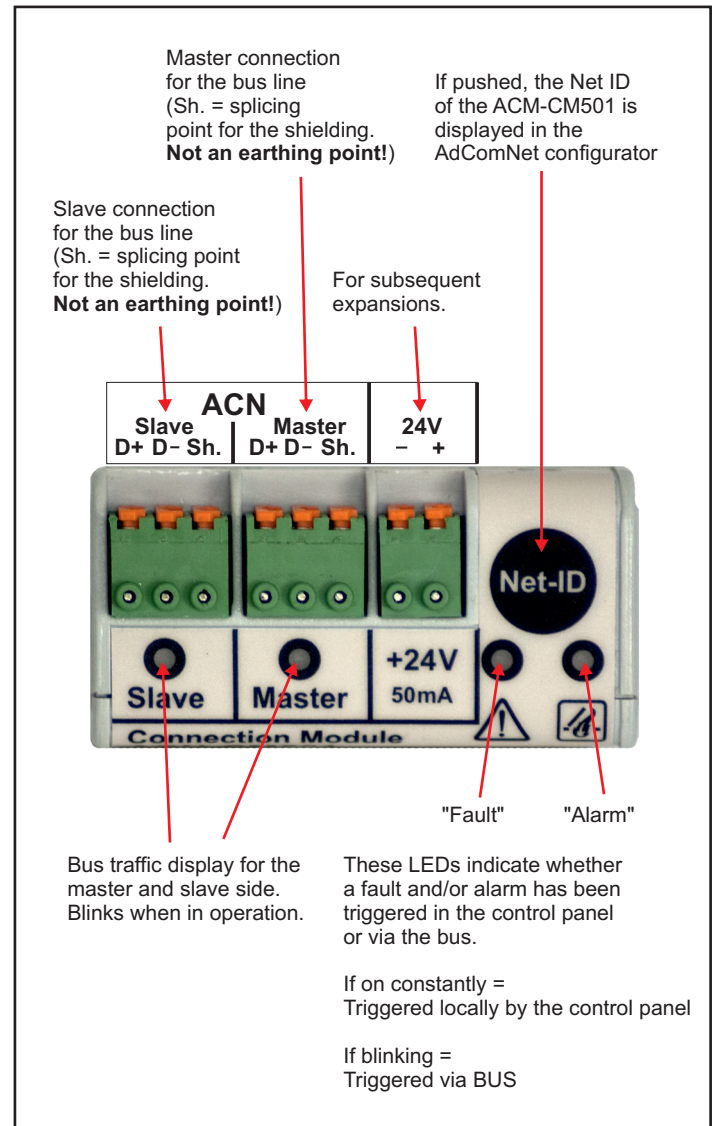
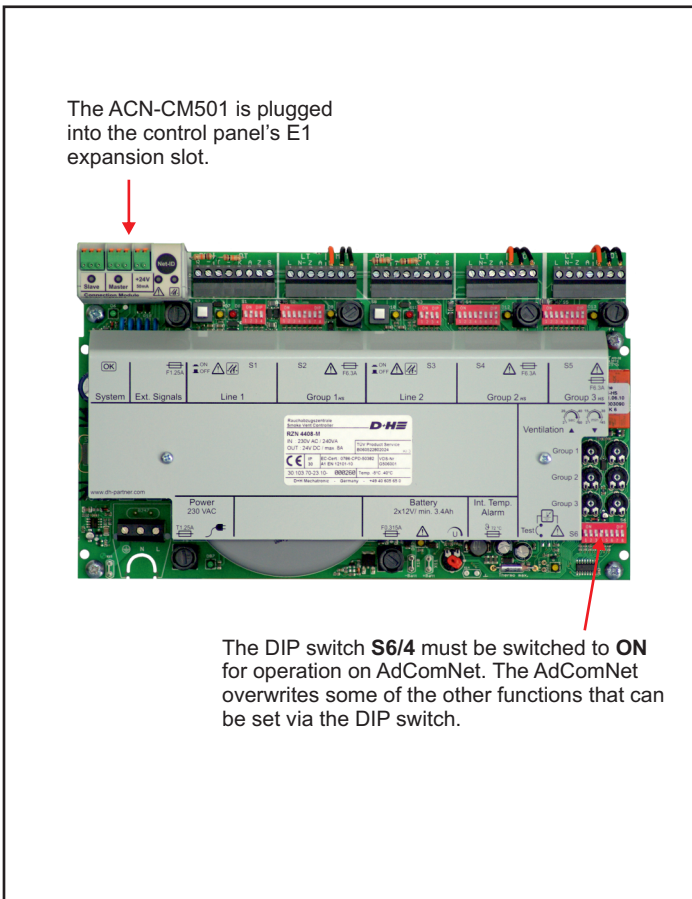
Intended use

AdComNet products may only be installed and commissioned by installation companies with special training and certification from D+H Mechatronic. The installation instructions in the AdComNet manual must be observed!

- The ACN-CM501 connection module serves as a bus coupler for linking the SHEV control systems to the AdComNet network
- Suitable for the following "AdComNet ready" control systems:
 - RZN 4408-K
 - RZN 4404-M
 - RZN 4408-M
 - RZN 4416-M
- Each ACN-CM501 can be used both as a master and/or a slave in the network
- As the master of a segment, the ACN-CM501 assumes the role of the segment coupler, which regularly queries and manages all slaves
- Very low current consumption
- No larger batteries are needed
- A fault is displayed on the control panel when a module is removed

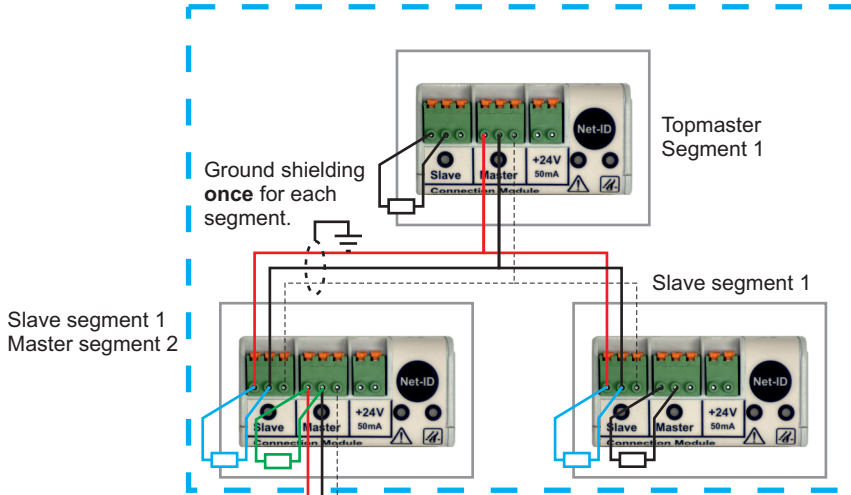
Scope of supply

- 1x ACN-CM501 connection module
- 2x 110 Ω terminating resistors



Connection Example

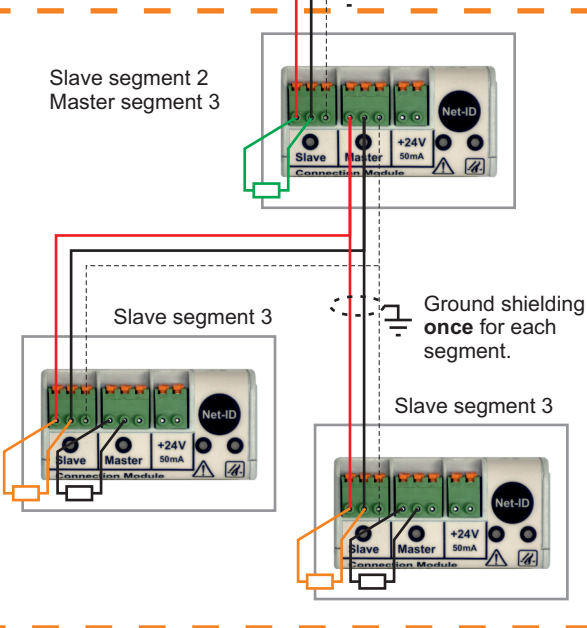
Segment 1



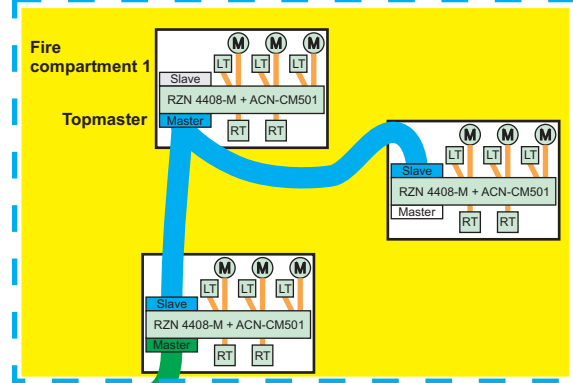
Termination:

Each segment must be terminated with 2 resistors (110 Ω). The resistors must be connected as far as possible from one another. Connections, which are not used, must also be terminated!

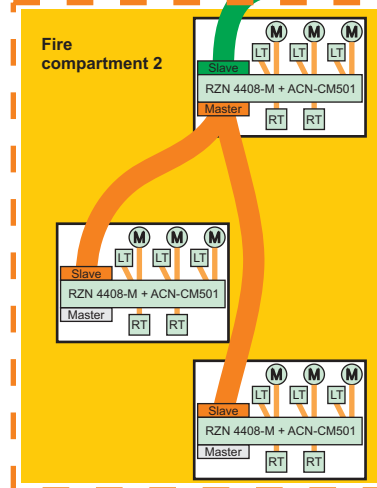
Segment 3



Segment 1



Segment 3



D+H Mechatronic AG
Georg-Sasse-Str. 28-32
22949 Ammersbek, Germany

Tel.: +4940-605 65 239
Fax: +4940-605 65 254
E-Mail: info@dh-partner.com

www.dh-partner.com

© 2010 D+H Mechatronic AG, Ammersbek
Rights to technical modifications reserved.