

CDP 1500/1000-BSY+



Approvals / Certificates

Find out about permission details from your D+H Partner.



G 513003



5014068.18001



Article also available with the following permissions under other article numbers. Technical data may deviate.



Technical data

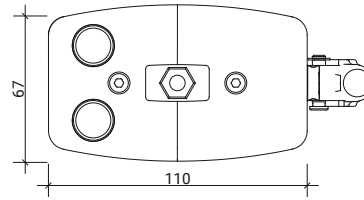
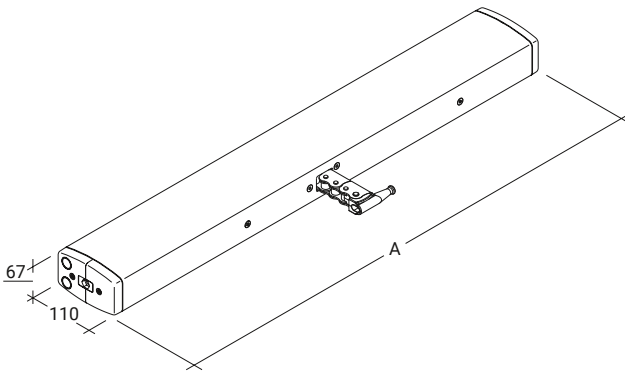
CDP 1500/1000-BSY+

| | |
|--------------------------------------|---------------------------------|
| Supply | 24 V DC / $\pm 15\%$ / 4 A |
| Duty cycle | 30 % (ON: 3 min. / OFF: 7 min.) |
| Force of pressure | 1500 N |
| Tensile force | 1500 N |
| Nominal locking force * | 3000 N |
| Service life | > 10000 double strokes |
| Stroke | 1000 mm |
| OPEN running speed | 6 mm/s |
| OPEN running speed - SHEV | 17.7 mm/s |
| CLOSED running speed | 6 mm/s |
| Type of protection | IP 32 |
| Emission sound pressure level | LpA ≤ 70 dB(A) |
| Temperature range | -15 °C (-5 °C **) ... +75 °C |
| Fire resistance | B300 (30 min / 300 °C) |
| Housing | Aluminium |
| Surface | Powder-coated |
| Colour | White aluminium (~ RAL 9006) |
| Connection | 2.5 m silicone cable |
| W x H x D | 934 x 67 x 110 mm |
| Weight | 9.2 kg |
| Remark | Variable equipment possible |
| Art. No. | 26.600.15 |

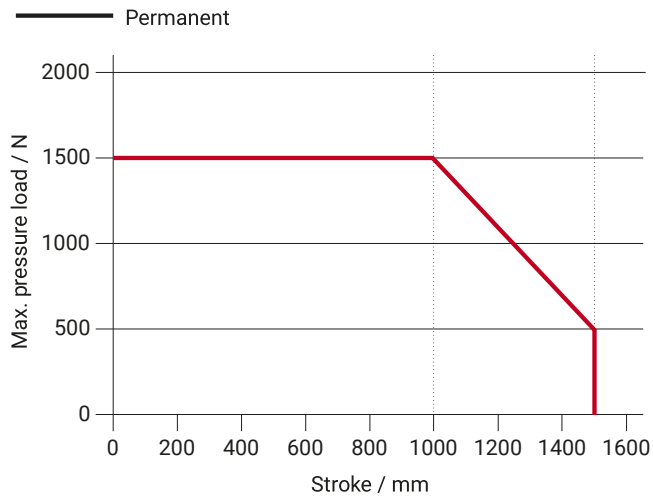
* Depending on the mounting, ** in accordance with VdS 2580

Dimensions

All specifications in mm



Pressure load diagram



Possible applications

- + Mounted installation
- + Application force
- + Frame mounting
- + Application tension

