

VCD-0204-0350-1-ACB M1-M



Performance features

- + For façade windows, roof windows and ventilation flaps in conservatories
- + With BSY+ motor and synchronised electronics controlled via microprocessor
- + Special chain stabilisation and centred chain outlet
- + Option of up to 8 drives in one synchronous group
- + Simple connection via plug connector
- + Programmable drive functions and different drive parameters
- + Running speed in CLOSED direction decreases to 5 mm/s (passive closing edge protection)
- + Time-controlled reversing when an obstacle is detected in the CLOSED direction (active closing edge protection)
- + Integrated ACB (Advanced Communication Bus) bus interface with Modbus RTU protocol
- + The drive is integrated directly via open bus communication through the ACB (Advanced Communication Bus), e.g. in a building management system

Approvals / Certificates

Find out about permission details from your D+H Partner.



Technical data

VCD-0204-0350-1-ACB M1-M

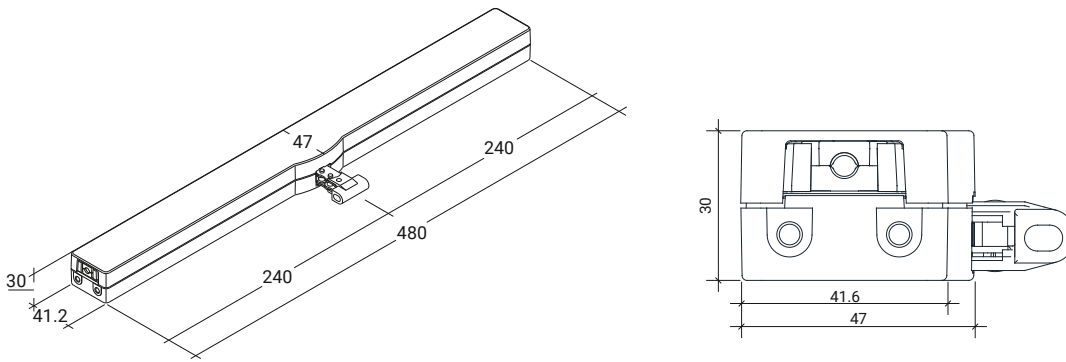
| | |
|--------------------------------------|---------------------------------|
| Supply | 24 V DC / $\pm 20\%$ / 0.35 A |
| Duty cycle | 30 % (ON: 3 min. / OFF: 7 min.) |
| Force of pressure | 200 N |
| Tensile force | 200 N |
| Nominal locking force ** | 2000 N |
| Service life | 20000 double strokes * |
| Stroke | 350 mm |
| OPEN running speed | 6 mm/s |
| CLOSED running speed | 6 mm/s |
| Type of protection | IP 30 |
| Emission sound pressure level | LpA \leq 46 dB(A) |
| Temperature range | 0 °C ... +60 °C |
| Housing | Die-cast zinc |
| Surface | Powder-coated |
| Colour | Silver (~ RAL 9006) |
| Connection | 2.5 m PVC-cable |
| W x H x D | 480 x 30 x 47 mm |
| Weight | 1.55 kg |
| Art. No. | 25.155.25 |

* For vertical use, please consult with D+H Sales!

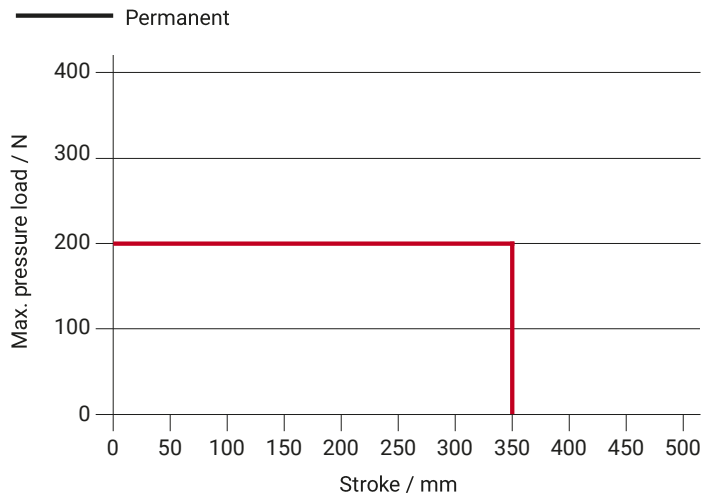
** Depending on the mounting

Dimensions

All specifications in mm



Pressure load diagram



Possible applications

- + Mounted installation
- + Application force
- + Frame mounting
- + Application tension
- + Sash mounting
- + Trapezoidal application

