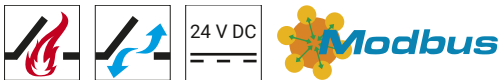


CDC-0252-0500-1-ACB M1-R



Performance features

- + Can be used for openings for smoke ventilation; D+H Euro SHEV in accordance with EN 12101-2; and for daily natural ventilation
- + Flexible overall lengths for customised strokes
- + With BSY+ motor and synchronised electronics controlled via microprocessor
- + Available in all RAL colours
- + Perfectly suited for profile integrated and surface mounted installation
- + Can be used for virtually all window opening types thanks to the left and right drive
- + Low running noises thanks to the innovative acoustic decoupling of the drive components
- + Integrated ACB (Advanced Communication Bus) bus interface with Modbus RTU protocol
- + Universal bracket sets for installation of all commonly available profile systems
- + The drive is integrated directly via open bus communication through the ACB (Advanced Communication Bus), e.g. in a building management system

Approvals / Certificates

Find out about permission details from your D+H Partner.



Article also available with the following permissions under other article numbers. Technical data may deviate.



Technical data

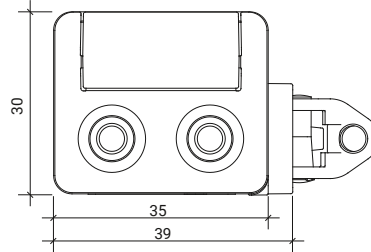
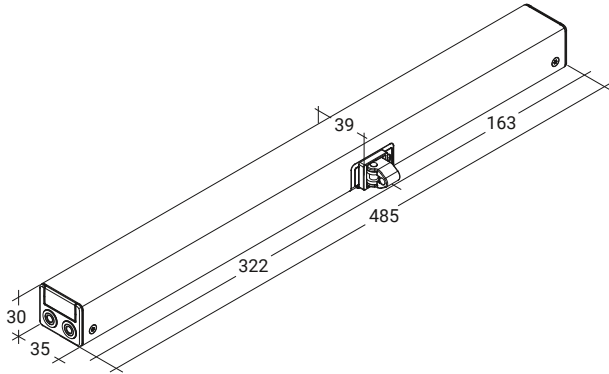
CDC-0252-0500-1-ACB M1-R

| | |
|--------------------------------------|---------------------------------|
| Supply | 24 V DC / $\pm 15\%$ / 0.8 A |
| Duty cycle | 30 % (ON: 3 min. / OFF: 7 min.) |
| Force of pressure | 250 N |
| Tensile force | 250 N |
| Nominal locking force ** | 1500 N |
| Service life | 20000 double strokes * |
| Stroke | 500 mm |
| OPEN running speed | 6.7 mm/s |
| OPEN running speed - SHEV | 13.6 mm/s |
| CLOSED running speed | 6.7 mm/s |
| Type of protection | IP 32 |
| Emission sound pressure level | LpA \leq 35 dB(A) |
| Temperature range | -15 °C (-5 °C ***) ... +75 °C |
| Fire resistance | B300 (30 min / 300 °C) |
| Housing | Aluminium |
| Surface | Powder-coated |
| Colour | White aluminium (~ RAL 9006) |
| Connection | 2.5 m silicone cable |
| W x H x D | 485 x 30 x 39 mm |
| Weight | 1.2 kg |
| Remark | Right type |
| Art. No. | 26.100.55 |

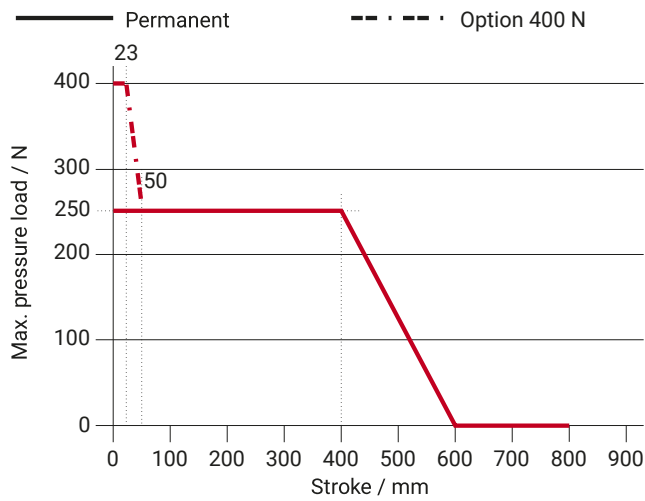
* For vertical use, please consult with D+H Sales!
 ** Depending on the mounting, *** in accordance with VdS 2580

Dimensions

All specifications in mm



Pressure load diagram



Possible applications

- + Mounted installation
- + Application force
- + Integrated installation
- + Application tension
- + Frame mounting
- + Trapezoidal application
- + Sash mounting
- + Drawbridge application

